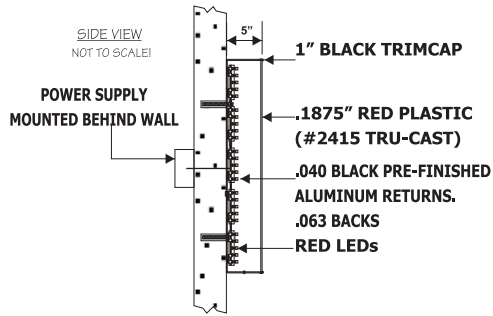


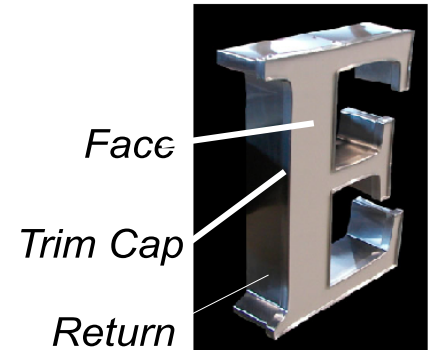
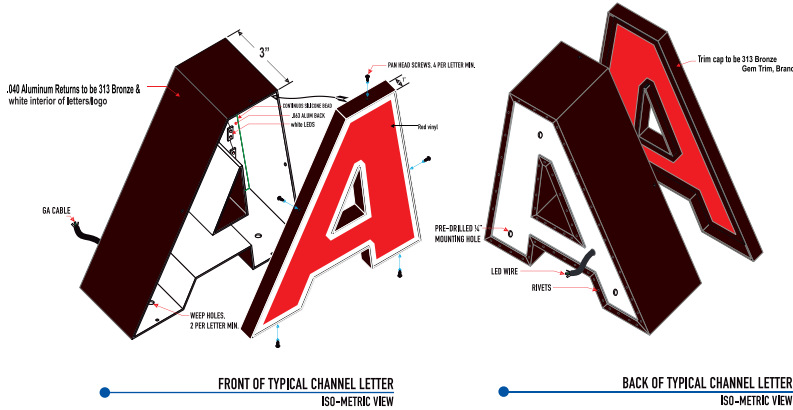
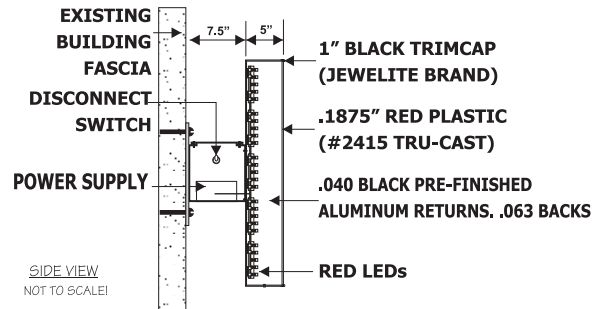


1" minimum stroke

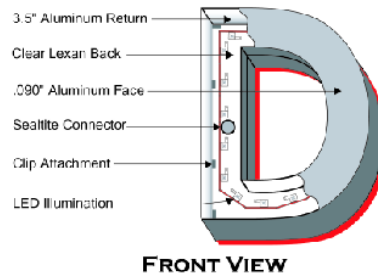
**WALL MOUNTED LED CHANNEL LETTERS**



**RACEWAY MOUNTED LED CHANNEL LETTERS**



**REVERSE LIT CHANNEL LETTERS**



2" minimum stroke on reverse channel letters

